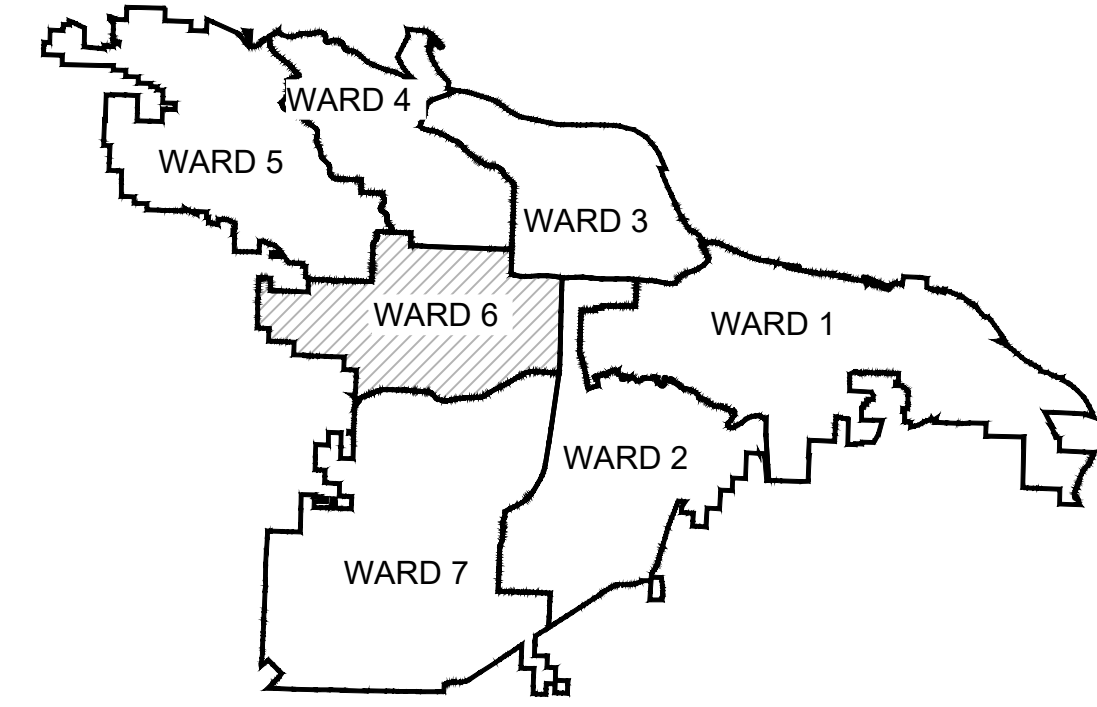


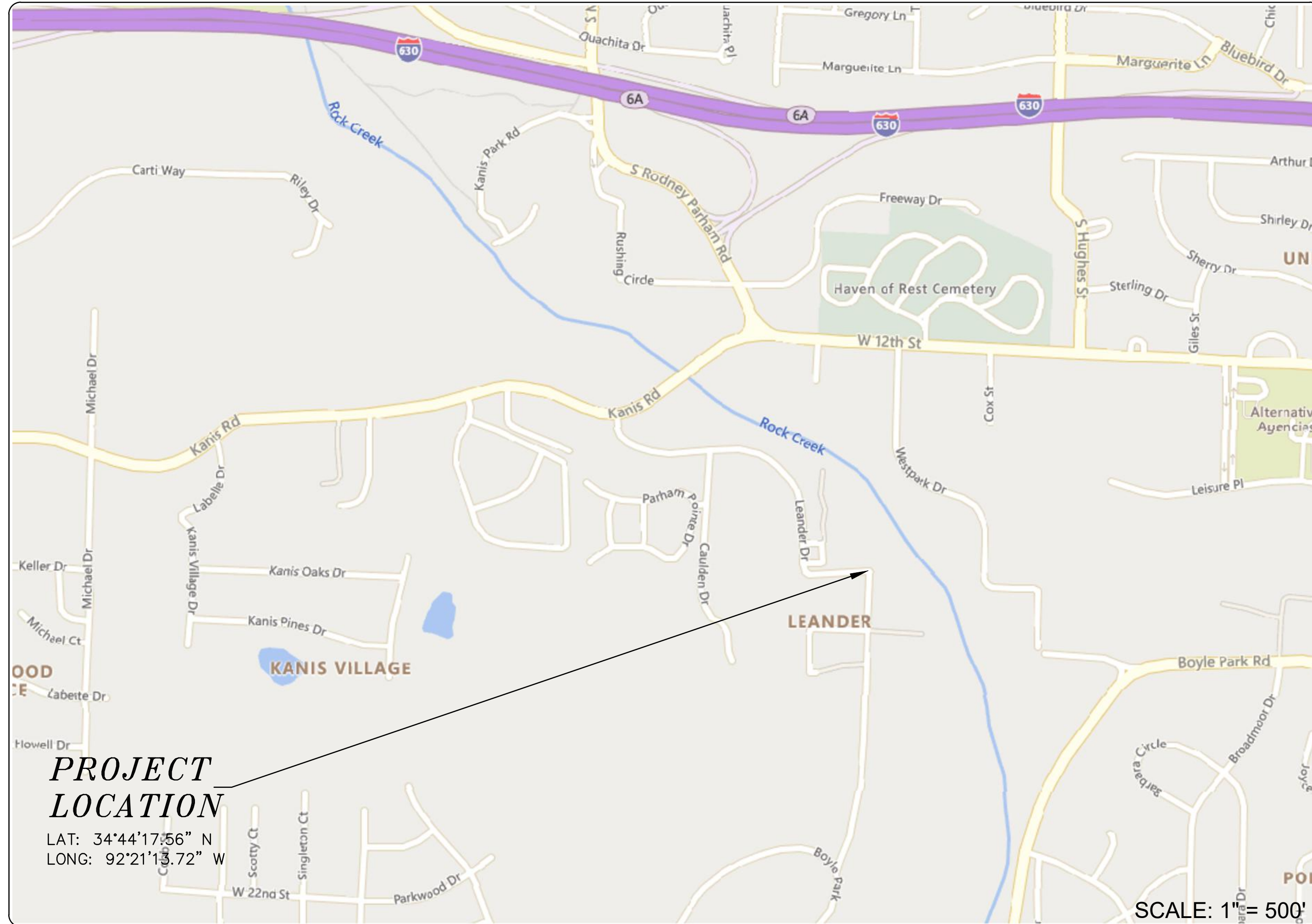
LEANDER AND 16TH STREET DRAINAGE IMPROVEMENTS LEANDER DRIVE



PROJECT LOCATION - WARD 6

REVISIONS	DATE

CITY OF LITTLE ROCK, ARKANSAS
LEANDER AND 16TH ST. DRAINAGE IMPROVEMENTS
COVER SHEET



PROJECT LOCATION
LAT: 34°44'17.56" N
LONG: 92°21'13.72" W

SCALE: 1" = 500'

SHEET NO.	TITLE
C1	COVER SHEET
C2	INDEX, GENERAL NOTES, LEGEND, QUANTITIES AND DETAILS
C3	TOPOGRAPHIC SURVEY
C4	DEMOLITION & EROSION CONTROL PLAN - GRADING AND DRAINAGE PLAN
C5	MAINTENANCE OF TRAFFIC



**2023-2025
BOND PROGRAM**

DEPARTMENT OF PUBLIC WORKS
CIVIL ENGINEERING
701 WEST MARKHAM STREET
LITTLE ROCK, ARKANSAS 72201



DEVELOPMENT CONSULTANTS INC.
2200 NORTH RODNEY PARHAM RD., SUITE 220
LITTLE ROCK, AR 72212-4155
PH. 501-221-7880

DEPARTMENT OF PUBLIC WORKS
CIVIL ENGINEERING
701 W. MARKHAM
LITTLE ROCK, ARKANSAS 72201

STATE OF ARKANSAS
LICENSED PROFESSIONAL ENGINEER
No. 19932
CAROLINE OLIVIA

DRAWN BY COF
DESIGNED COF
CHECKED COF
DATE 03-13-2024
SCALE N.T.S.
PROJECT NO. 06-22-DR-148
SHEET NO. C1

CLR# 06-22-DR-148			
LEANDER AND 16TH ST. DRAINAGE IMPROVEMENTS			
12-Dec-23			
ITEM #	ITEM DESCRIPTION	UNIT	QUANTITY
2.01	SITE PREPARATION	LS	1
3.01	UNCLASSIFIED EXCAVATION	CY	46
11.02	CONCRETE HEADWALL, REINFORCED	CY	7
13.43C	STORM DRAIN PIPE, 27"X44" R.C. ARCH (CROSS DRAIN)	LF	34
14.01	SOLID SODDING	SY	150
16.01	MAINTENANCE OF TRAFFIC	LS	1
17.01	CUT AND REPAIR EXISTING STREET SURFACE	SY	17
19.01	FINAL CLEANUP	LS	1
24.02	ROCK DITCH CHECK	CY	5
	AS-BUILT SURVEY	LS	1

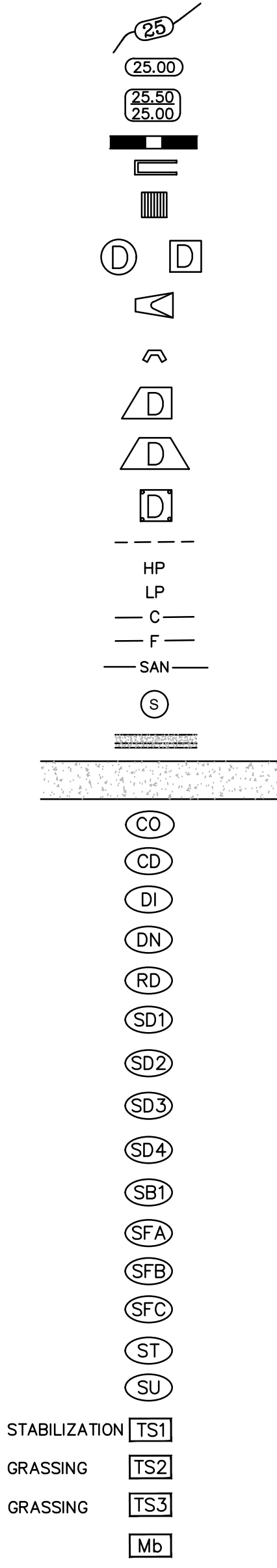
EXISTING

PROPOSED

- IRON ROD
- PK NAIL
- R.R. SPIKE
- CONC. MONUMENT
- WATER VALVE
- WATER METER
- FIRE HYDRANT
- GAS METER
- GAS VALVE
- CLEAN-OUT
- GUARD POST (BOLLARD)
- SIGN POST
- BENCHMARK
- STORM SEWER MANHOLE
- SANITARY SEWER MANHOLE
- TELEPHONE MANHOLE
- ELECTRIC MANHOLE
- TELEPHONE BOX
- ELECTRIC BOX
- CABLE BOX
- UTILITY POLE
- GUY WIRE
- LIGHT POLE
- POST OR POLE (TYPE AS NOTED)
- MAILBOX
- DECIDUOUS TREE
- EVERGREEN/CONIFEROUS TREE
- BUSH
- PROPERTY LINE
- SETBACK LINE
- EASEMENT LINE
- CURB
- FENCE
- OVERHEAD ELECTRIC
- OVERHEAD TELEPHONE
- OVERHEAD CABLE
- UNDERGROUND TELEPHONE
- UNDERGROUND ELECTRIC
- UNDERGROUND CABLE
- WATER LINE
- SEWER LINE
- GAS LINE
- STORM SEWER/CULVERT
- EDGE OF WOODS
- CONTOUR LINE



- PROPOSED CONTOUR
- PROPOSED SPOT ELEVATION
- PROPOSED SPOT CURB ELEVATION
- STORM SEWER - PIPE
- STORM SEWER - MITERED END SECTION
- STORM SEWER - GRATE INLET
- STORM SEWER - JUNCTION BOX
- STORM SEWER - FLARED END SECTION
- STORM SEWER - HEADWALL
- STORM SEWER - SINGLE WING
- STORM SEWER - DOUBLE WING
- STORM SEWER - AREA INLET
- GRADE BREAK LINE
- HIGH POINT
- LOW POINT
- CUT LINE
- FILL LINE
- SANITARY SEWER PIPE
- SANITARY SEWER MANHOLE
- PROPOSED CURB
- PROPOSED CONCRETE
- CONSTRUCTION - ENTRANCE/EXIT
- CHECK DAM
- DIVERSION BERM
- DOWNDRAIN STRUCTURE - TEMPORARY
- ROCK DAM
- SEDIMENT BARRIER - SILT FENCE
- SEDIMENT BARRIER - GRAVEL RING
- SEDIMENT BARRIER - BLOCK & GRAVEL
- SEDIMENT BARRIER - BLOCK
- TEMPORARY SEDIMENT BASIN
- SILT FENCE - TYPE A
- SILT FENCE - TYPE B
- SILT FENCE - TYPE C
- STORM DRAIN OUTLET PROTECTION
- SURFACE ROUGHENING
- DISTURBED AREA STABILIZATION - TEMPORARY STABILIZATION
- DISTURBED AREA STABILIZATION - TEMPORARY GRASSING
- DISTURBED AREA STABILIZATION - PERMANENT GRASSING
- MATting/BLANKETS



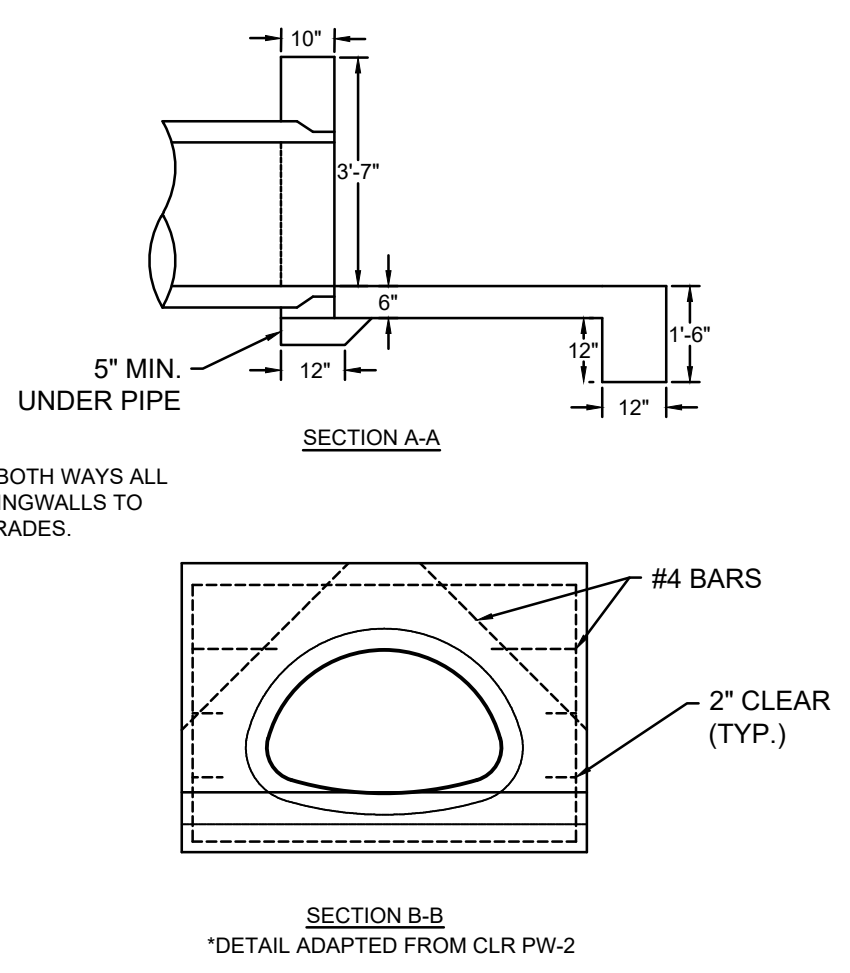
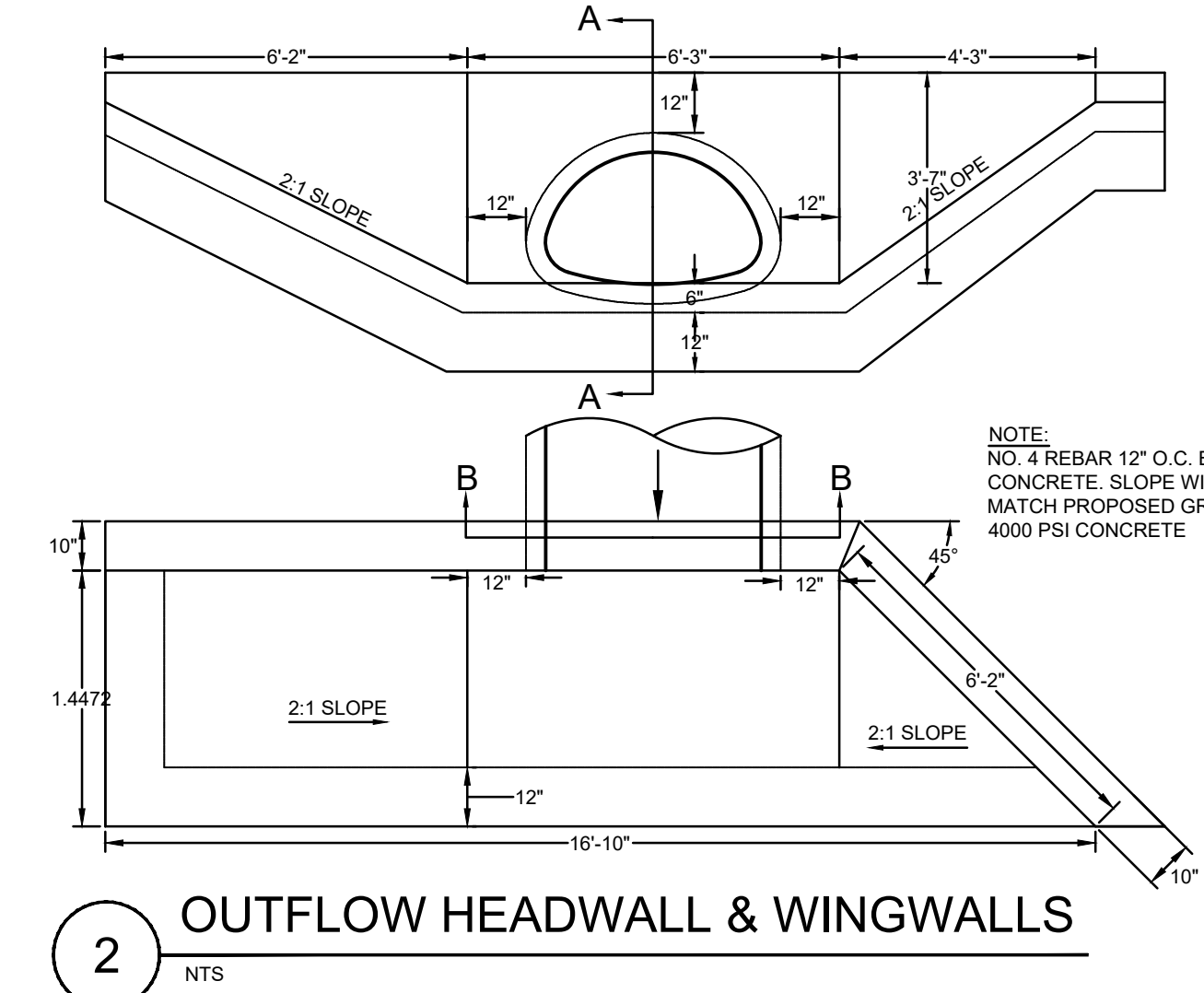
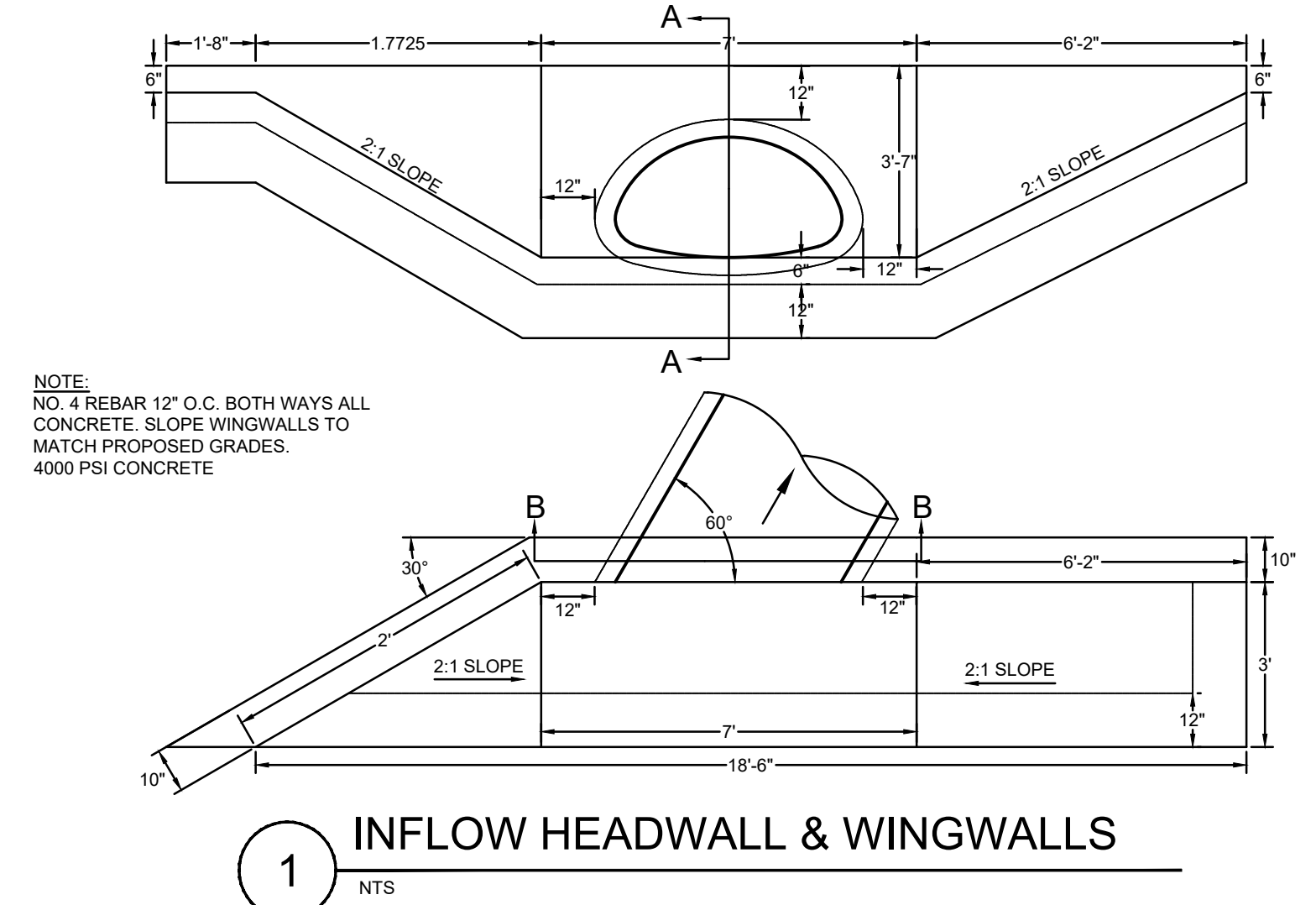
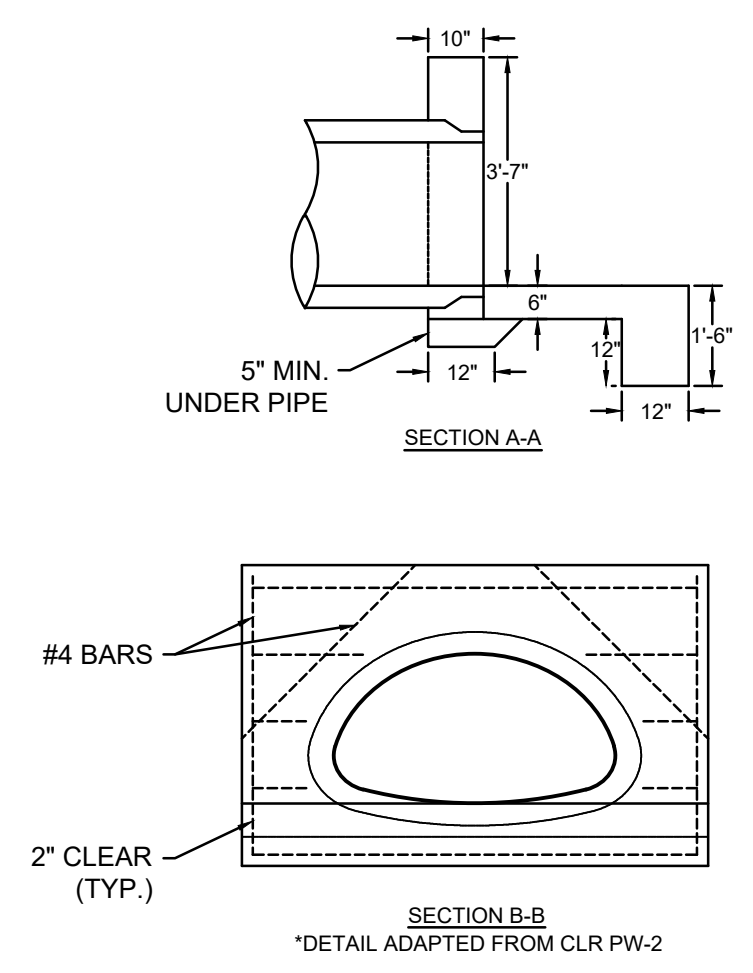
REVISIONS	DATE

CITY OF LITTLE ROCK, ARKANSAS
 LEANDER AND 16TH ST. DRAINAGE IMPROVEMENTS
 COVER SHEET

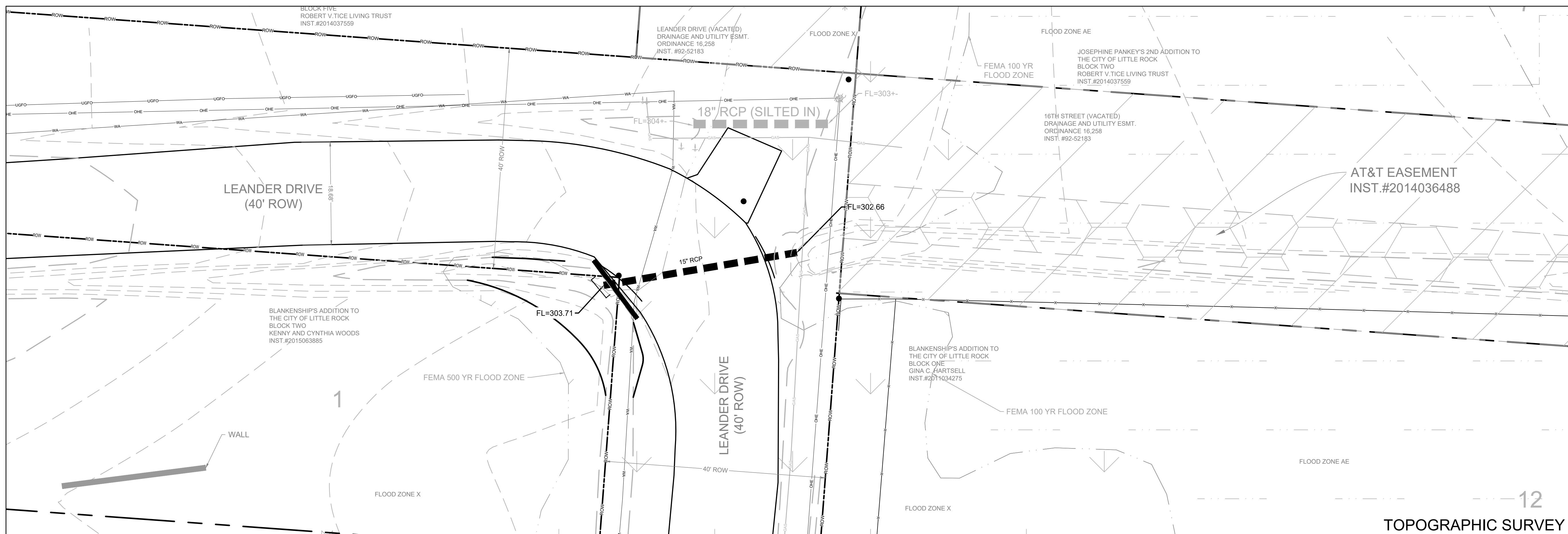
DEPARTMENT OF PUBLIC WORKS
 CIVIL ENGINEERING
 701 W. MARKHAM
 LITTLE ROCK, ARKANSAS 72201



DRAWN BY COF
 DESIGNED COF
 CHECKED BC
 DATE 03-13-2024
 SCALE NTS
 PROJECT NO. 06-22-DR-148
 SHEET NO. C2



REVISIONS	DATE



CITY OF LITTLE ROCK, ARKANSAS
LEANDER AND 16TH ST. DRAINAGE IMPROVEMENTS
 TOPOGRAPHIC SURVEY

DEPARTMENT OF PUBLIC WORKS
CIVIL ENGINEERING
 701 W. MARKHAM
 LITTLE ROCK, ARKANSAS 72201

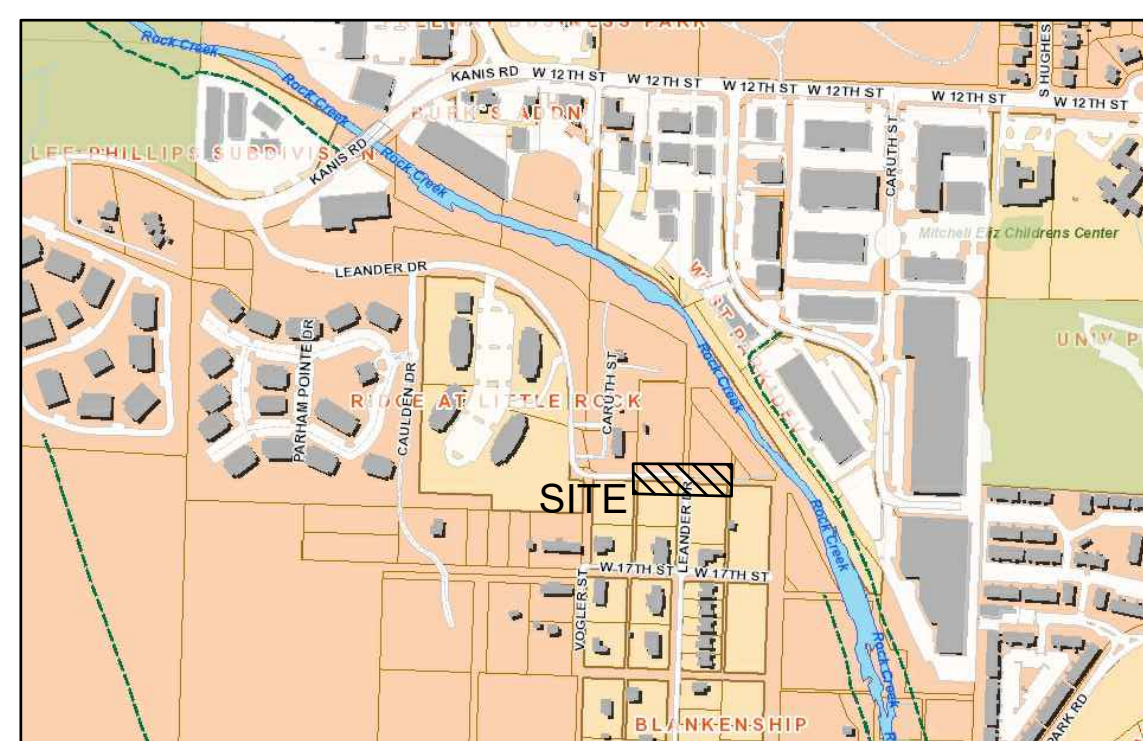
Notes:
 Contour interval = 1'. Elevation basis is NAVD88, per GPS observation.
 Survey was performed based on NAD83 (2011), per GPS observation.
 Building lines shown hereon are to outside face of the building at ground level.
 The locations of utilities as shown hereon are based on aboveground structures, markings and record documents. Locations of underground utilities may vary significantly from locations shown hereon. Additional buried utilities/structures may be encountered. No excavations were made during the progress of the survey to locate buried utilities/structures.
 Based on scaled map location and graphic plotting only, part of the project area shown hereon is in Flood Zone X, and Flood Zone AE according to Flood Insurance Rate Map, City of Little Rock, Pulaski County, Arkansas, Community Panel Number 05119C0451H, Map Revised June 7, 2019.

CERTIFICATION:
 I, Kenneth O. Beckwith, certify that a Boundary and Topographic Survey was performed on the Property shown hereon by a D.C.I. Field Crew under my supervision and this drawing is an accurate representation of the Survey results.

Kenneth O. Beckwith

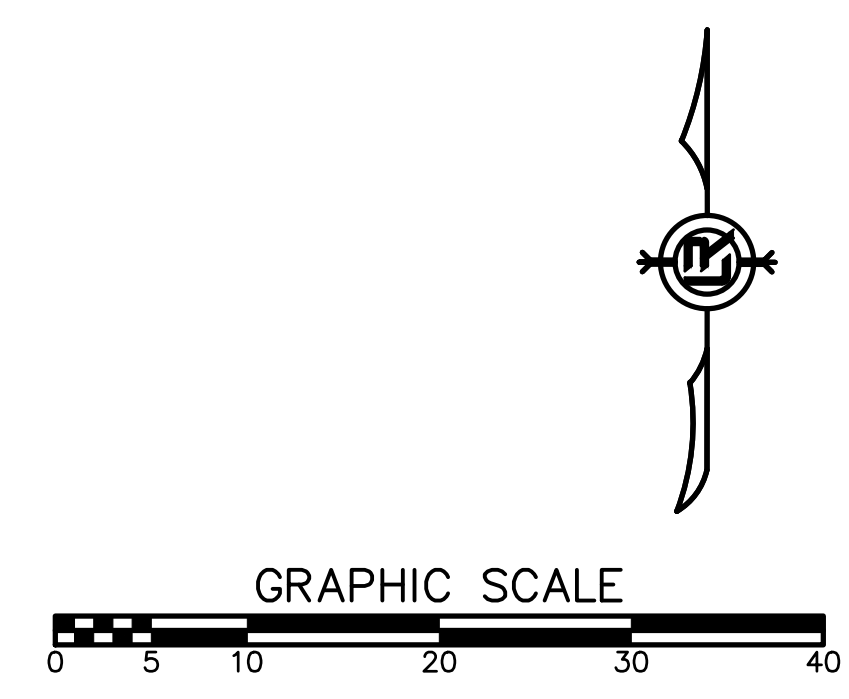
 Kenneth O. Beckwith
 Arkansas Registered Professional
 Land Surveyor No. 1645

Date 10/04/2023

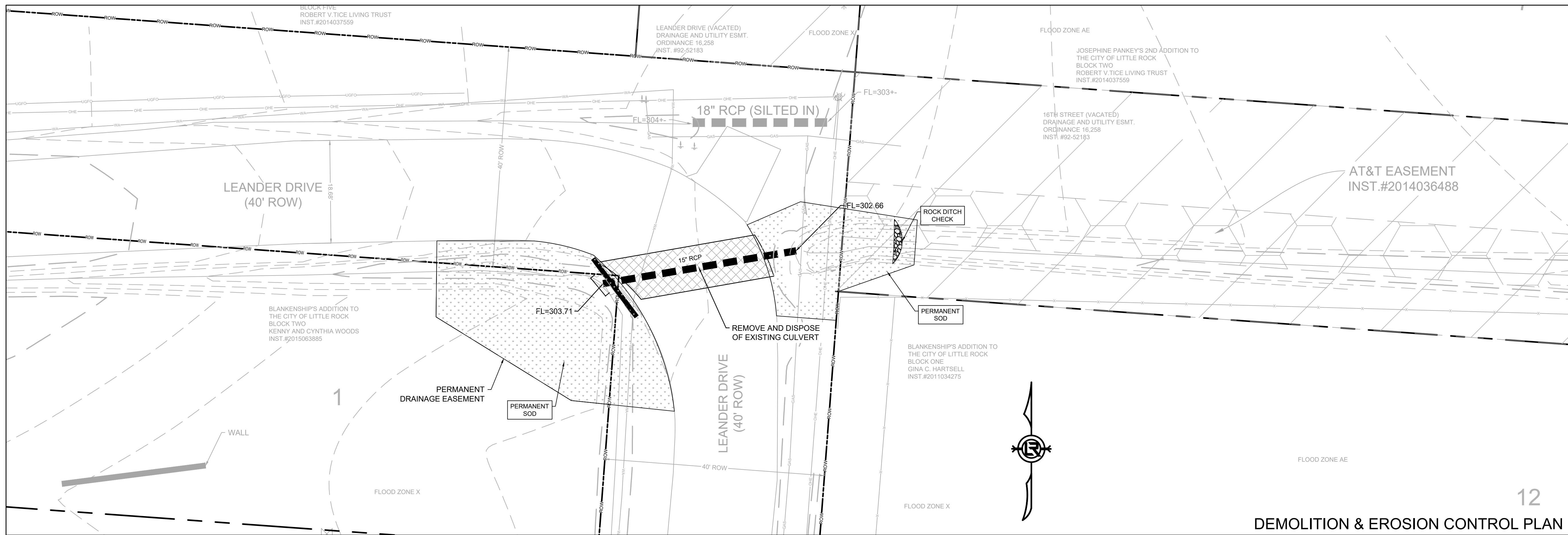


VICINITY MAP

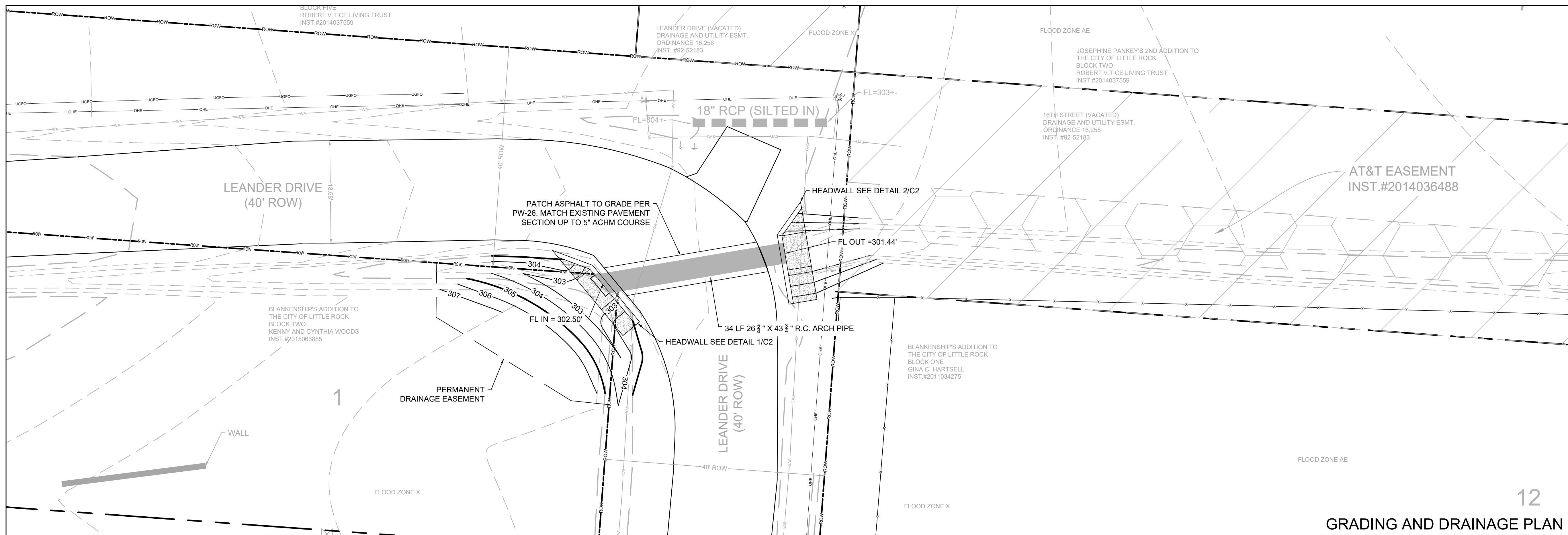
LEGEND	
●	FOUND MONUMENT
○	SET 1/2" REBAR
⊗	SET CHISELED X
△	COMPUTED POINT
⊕	FIRE HYDRANT
⊕	WATER VALVE
⊕	WATER METER
⊕	GAS METER
⊕	GAS VALVE
⊕	POWER POLE
⊕	POWER POLE W/ LIGHT
⊕	GUY WIRE
⊕	LIGHT POLE
⊕	TELEPHONE PEDESTAL
⊕	ELECTRIC METER
⊕	SANITARY SEWER MANHOLE
⊕	STORM DRAIN MANHOLE
⊕	SIGN
—WA—	WATER LINE
—GAS—	GAS LINE
—OHE—	OVERHEAD ELECTRIC
—UGFO—	UNDERGROUND FIBER OPTIC
—UGT—	UNDERGROUND TELEPHONE
—UGE—	UNDERGROUND ELECTRIC



DRAWN BY
DESIGNED
CHECKED
DATE
 10/04/2023
SCALE
 1" = 10'
PROJECT NO.
 06-22-DR-148
SHEET NO.
C3




12
DEMOLITION & EROSION CONTROL PLAN
 GRAPHIC SCALE
 0 5 10 20 30 40



12
GRADING AND DRAINAGE PLAN

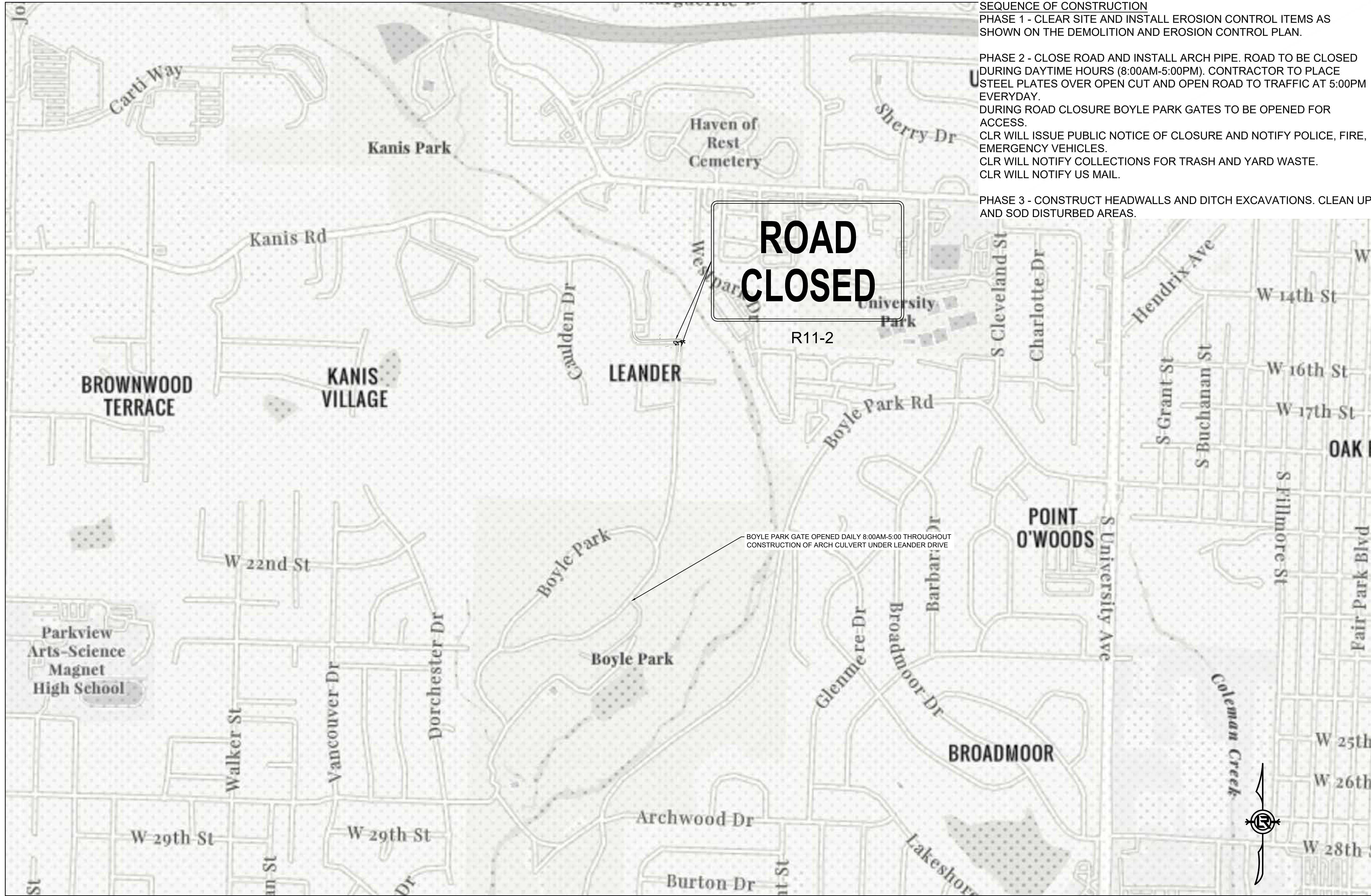
REVISIONS	DATE

CITY OF LITTLE ROCK, ARKANSAS
LEANDER AND 16TH ST. DRAINAGE IMPROVEMENTS
 COVER SHEET


 DEPARTMENT OF PUBLIC WORKS
 CIVIL ENGINEERING
 701 W. MARKHAM
 LITTLE ROCK, ARKANSAS 72201


 STATE OF ARKANSAS
 LICENSED PROFESSIONAL ENGINEER
 No. 19932
 GINA C. HARTSELL

DRAWN BY	COF
DESIGNED	COF
CHECKED	BK
DATE	03-13-2024
SCALE	1" = 10'
PROJECT NO.	06-22-DR-148
SHEET NO.	C4




SEQUENCE OF CONSTRUCTION
 PHASE 1 - CLEAR SITE AND INSTALL EROSION CONTROL ITEMS AS SHOWN ON THE DEMOLITION AND EROSION CONTROL PLAN.

PHASE 2 - CLOSE ROAD AND INSTALL ARCH PIPE. ROAD TO BE CLOSED DURING DAYTIME HOURS (8:00AM-5:00PM). CONTRACTOR TO PLACE STEEL PLATES OVER OPEN CUT AND OPEN ROAD TO TRAFFIC AT 5:00PM EVERYDAY.
 DURING ROAD CLOSURE BOYLE PARK GATES TO BE OPENED FOR ACCESS.
 CLR WILL ISSUE PUBLIC NOTICE OF CLOSURE AND NOTIFY POLICE, FIRE, EMERGENCY VEHICLES.
 CLR WILL NOTIFY COLLECTIONS FOR TRASH AND YARD WASTE.
 CLR WILL NOTIFY US MAIL.


PHASE 3 - CONSTRUCT HEADWALLS AND DITCH EXCAVATIONS. CLEAN UP AND SOD DISTURBED AREAS.

REVISIONS	DATE

CITY OF LITTLE ROCK, ARKANSAS
 LEANDER AND 16TH ST. DRAINAGE IMPROVEMENTS
 COVER SHEET

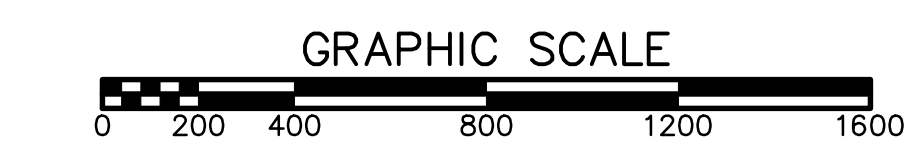


DEPARTMENT OF PUBLIC WORKS
 CIVIL ENGINEERING
 701 W. MARKHAM
 LITTLE ROCK, ARKANSAS 72201




STATE OF ARKANSAS
 LICENSED PROFESSIONAL ENGINEER
 No. 19932
 CAROLINE OLIVIA

DRAWN BY	COF
DESIGNED	COF
CHECKED	BK
DATE	03-13-2024
SCALE	1" = 400'
PROJECT NO.	06-22-DR-148
SHEET NO.	C5



MAINTENANCE OF TRAFFIC PLAN