

LOOKING EAST ON CAPITAL AVENUE



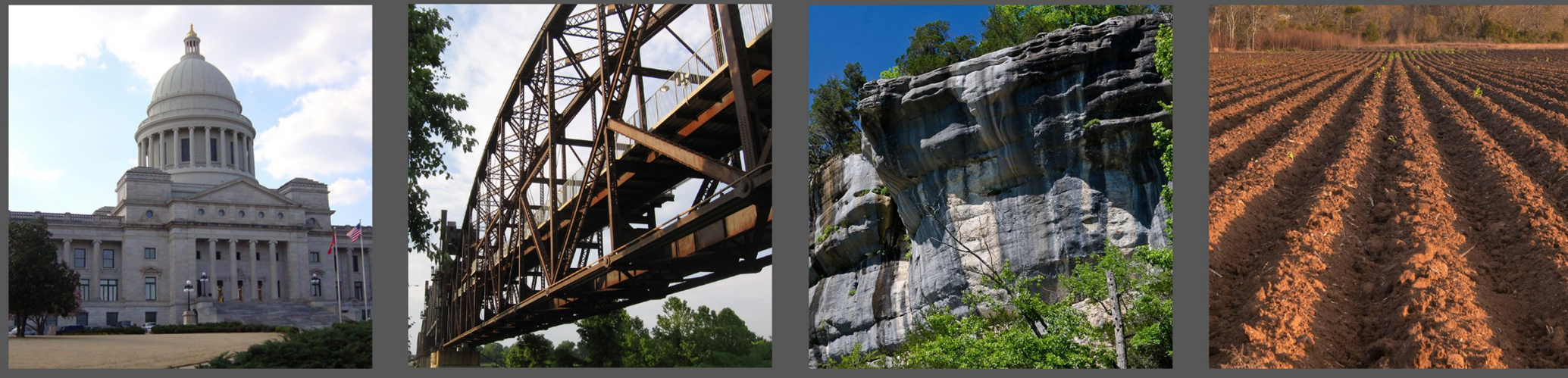
LOOKING SOUTH ON I-30

DESIGN SUMMARY:

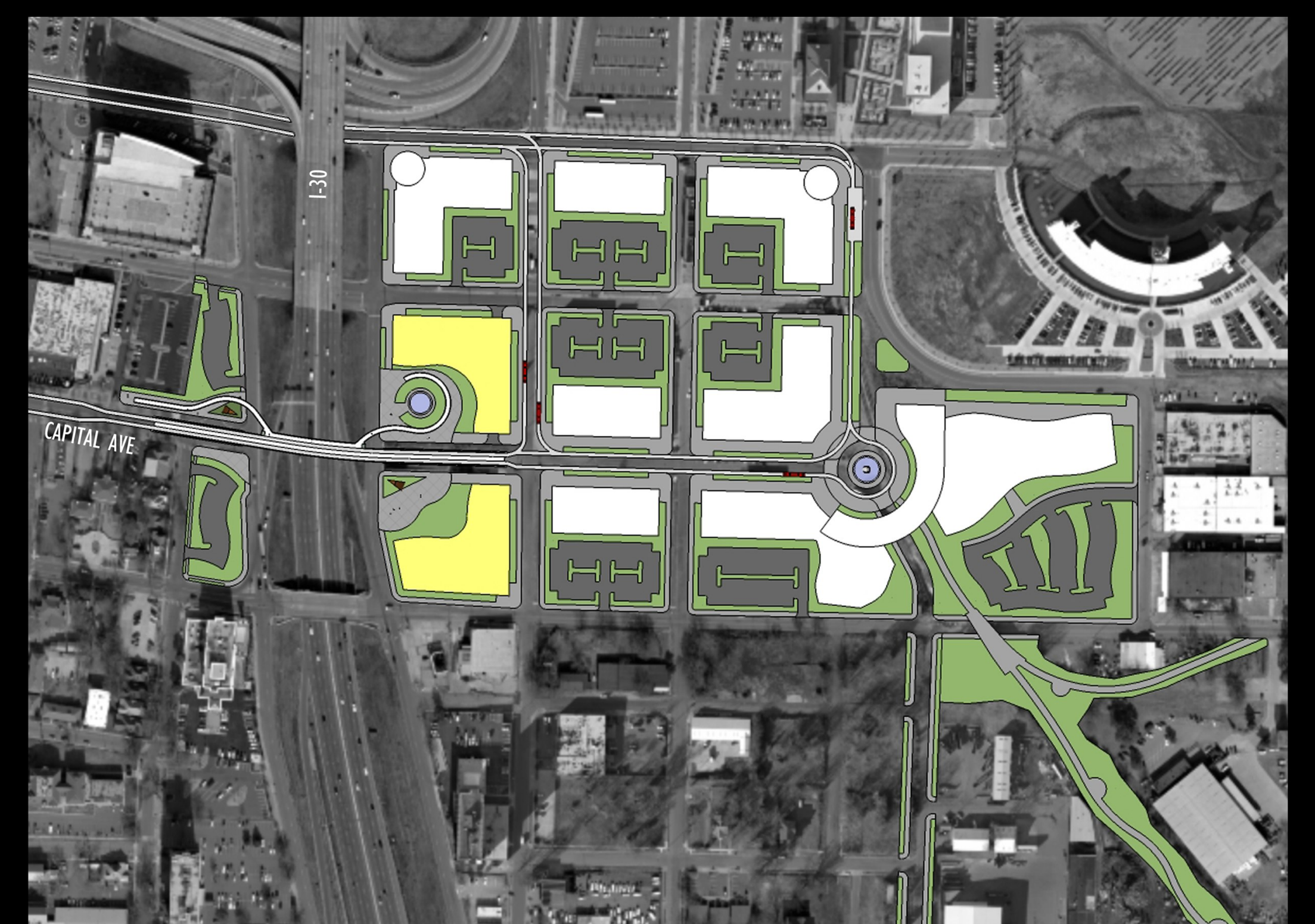
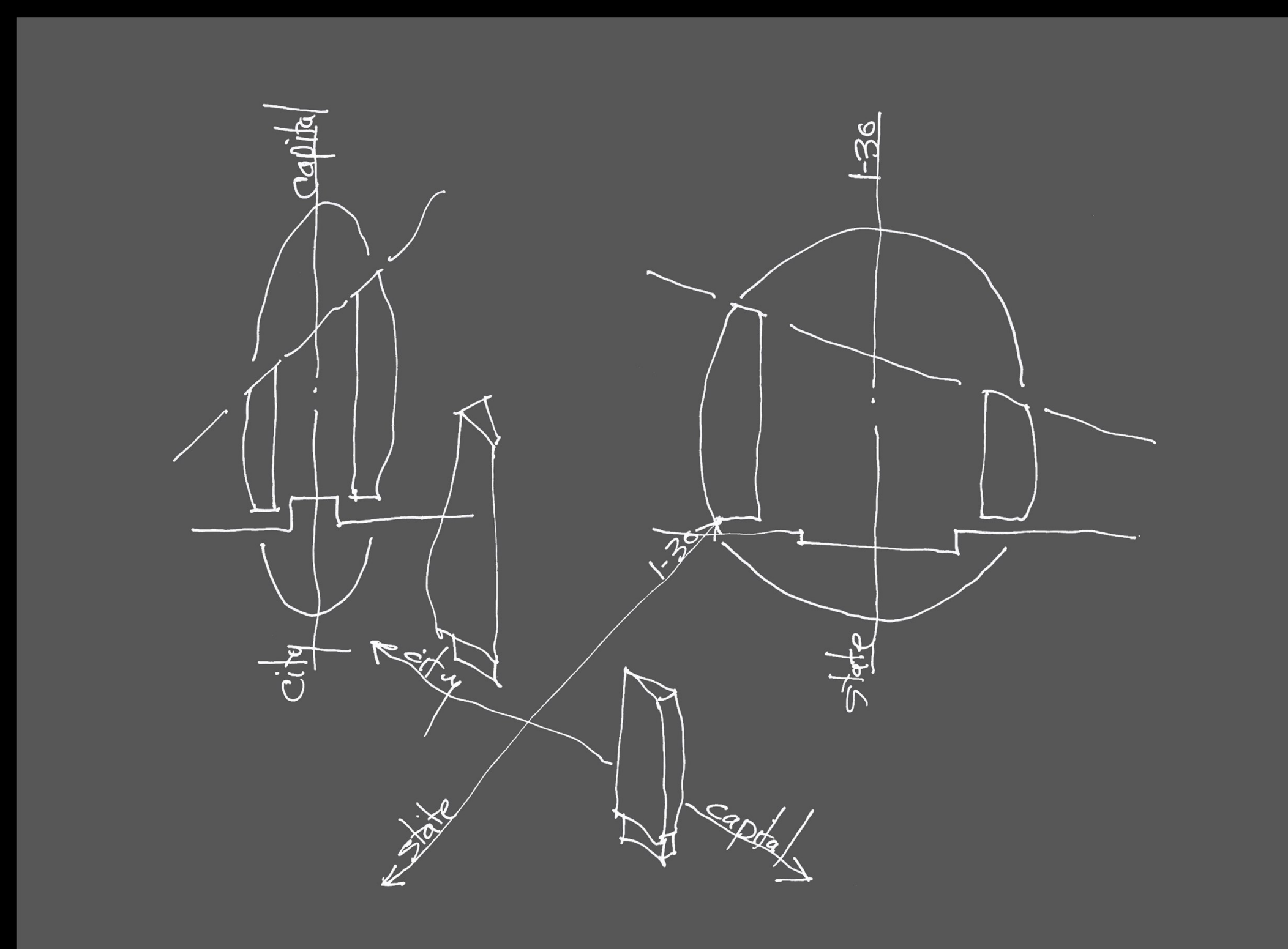
THE DESIGN IS FOR A MONUMENTAL GATEWAY FOR BOTH LITTLE ROCK AND ARKANSAS.

THE GATEWAY IS FORMED BY THE PASSAGE THROUGH TWO COLUMNS THAT FORM THE SIDES OF A BROKEN ELLIPTICAL ARCH. THESE ARE PLACED ON EACH SIDE OF CAPITAL AVENUE AND INTERSTATE 30.

THE MATERIALS ARE VENEERED LIMESTONE AND WEATHERED METAL. THE LIMESTONE SPEAKS TO THE STONE OF THE STATE CAPITAL AND PUBLIC BUILDINGS WEST SIDE OF I-30 AND THE LIMESTONE BLUFFS OF THE STATE'S MOUNTAINS. THE METAL SPEAKS TO THE INDUSTRIAL HISTORY EAST OF I-30 AND THE SOIL OF THE STATE'S FARMLAND.



IT CALLS FOR THE FUTURE EXTENSION OF CAPITAL AVENUE TO ENCOURAGE EASTERNLY DEVELOPMENT. IT EXTENDS TO A PLAZA ON A PERPENDICULAR AXIS TO THE PRESIDENTIAL LIBRARY. IT ALSO SERVES AS A CONNECTION TO THE HANGER HILL NEIGHBORHOOD AND TRAIL DEVELOPMENT OF THE TRAIN RIGHT-OF-WAY. THE EAST SIDE OF I-30 SERVES AS A LOCATION FOR A CITY VISITOR'S CENTER WITH GOOD VISUAL AND VEHICULAR ACCESS FOR PEOPLE COMING TO LITTLE ROCK. PEOPLE CAN PARK HERE AND GAIN ACCESS TO AN EXPANDED TROLLEY SYSTEM TO EXPLORE THE CITY. IN THE FUTURE THESE PUBLIC IMPROVEMENTS WILL ENCOURAGE PRIVATE DEVELOPMENT ALONG THE EXTENDED CAPITAL AVENUE.



PHASE 1- GATEWAY CONSTRUCTION



PHASE 2- INFRASTRUCTURE DEVELOPMENT



PHASE 3- PRIVATE DEVELOPMENT